

IOS-PP25

Power Pack



SAFETY SECTION

⚠ HAZARD OF ELECTRIC SHOCK, EXPLOSION, OR ARC FLASH

- Apply appropriate personal protective equipment (PPE) and follow safety electrical work practices. Please see NFPA 70E (USA) and CSA Electrical Code 2015.
 - The device must be installed and serviced by qualified electrical personnel
 - Turn OFF all electrical power supply to this device before installing and servicing this equipment
 - Always use properly rated voltage sensing device to confirm that the power is OFF.
- Failure to follow these instructions will cause death or serious injury.

PRODUCT DESCRIPTION

IOS-PP25 is a power pack with a 120 to 277VAC(50/60Hz) line voltage input. The power pack contains a full wave rectifier which can convert AC line voltage to 24VDC to supply sensors with class 2 low voltage. Also, the power pack provides single-pole, single-throw, relay outputs to the load. The power pack is easily mounted either inside or outside of an electrical junction box.

INSTALLATION

Please follow the safety precautions before attempting to install or maintain electrical equipment.

- 1.) Install power pack in accordance with state, local, and national electrical codes, and requirements.
- 2.) Always switch OFF all electrical power supply at the circuit breaker before installing.
- 3.) Mount the power pack to a suitable junction box by using the ½ in. threaded nipple, washer, and locking nut as shown in Figures 2 & 3.
- 4.) Connect the wires as shown in Figure 1. (Use copper wire only)
- 5.) Set the mode on the front panel of the device to, (A) for Auto (Occupancy mode) or (M) for Manual (Vacancy mode)
- 6.) Reapply electrical power once all installations are complete.

WIRING DIAGRAM

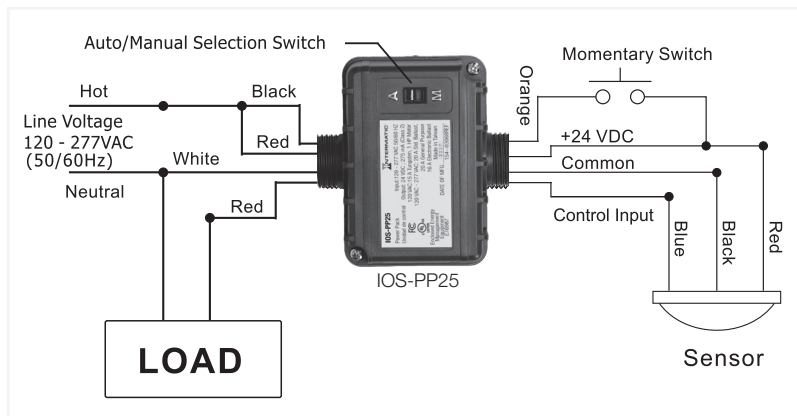


Figure 1

MOUNTING EXAMPLES

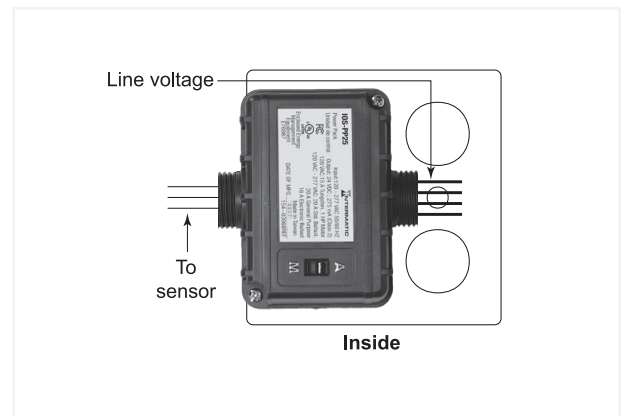


Figure 2

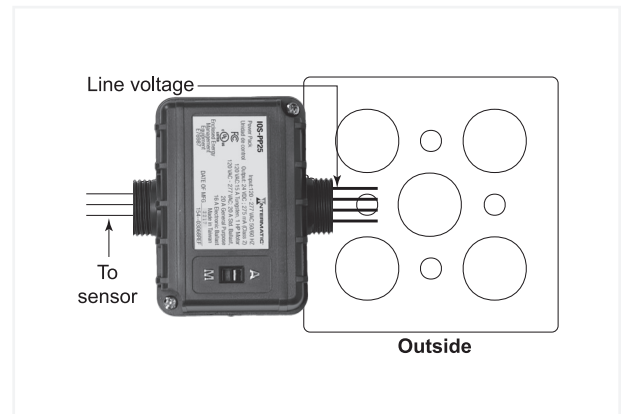


Figure 3

Wire Designation

| Wire Description | Color |
|----------------------------------|--------|
| Line Voltage Wires | |
| Line 120-277 VAC (Hot) | Black |
| Neutral | White |
| Input (Connect to Line) | Red |
| Output (Connect to Load) | Red |
| Class 2 Wires | |
| Power (24 VDC) | Red |
| DC Return (Common) | Black |
| Control Input | Blue |
| Manual On/Off (Momentary switch) | Orange |

SPECIFICATIONS

Switching Capacity:

- 120 VAC : 15 A Tungsten, 1 HP Motor
- 120 VAC - 277 VAC: 20 A General Purpose
- 20 A Standard Ballast
- 16 A Electronic Ballast

AC power Input: 120-277 VAC (50/60 Hz)

Output Voltage: 24 VDC

Output Current: 275 mA

Storage Temperature: -20° F to 150° F (-29° C to 65° C)

Operating Temperature: 32° F to 104° F (0° C to 40° C)

Maximum Humidity: 90%

Standards: UL & cUL Listed, FCC

LIMITED WARRANTY

Warranty service is available by either (a) returning the product to the dealer from whom the unit was purchased or (b) completing a warranty claim online at www.intermatic.com. This warranty is made by: Intermatic Incorporated, 1950 Innovation Way, Suite 300, Libertyville, IL 60048. For additional product or warranty information go to: www.Intermatic.com or call 815-675-7000.